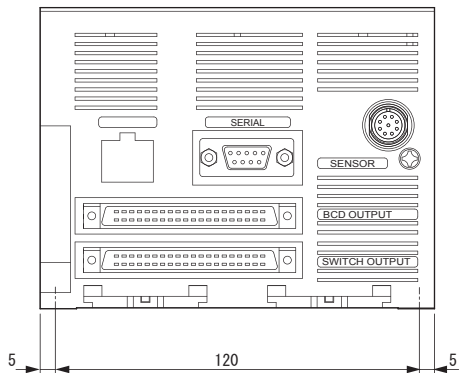
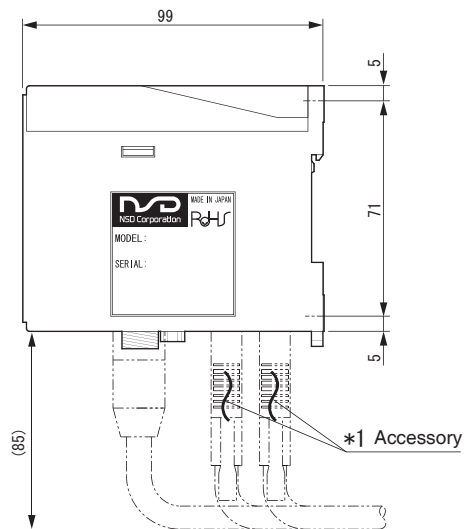
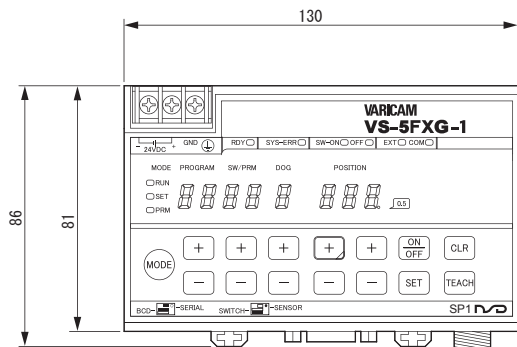
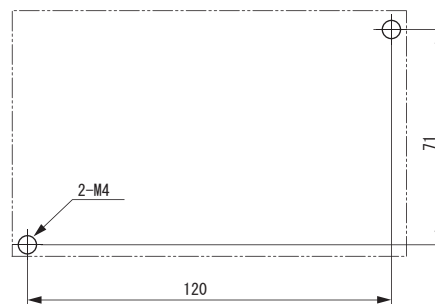


Units: mm

● VS-5FXG-1



● Mounting hole



*1: Accessory Solder connector: FCN-361J040-AU Cover : FCN-360C040-E