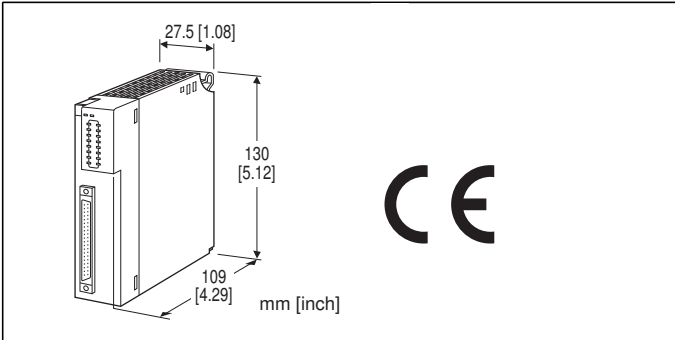


Remote I/O R3 Series

DISCRETE INPUT MODULE

(Di 16 points; with excitation supply, connector type)



MODEL: R3Y-DA16[1][2]

ORDERING INFORMATION

- Code number: R3Y-DA16[1][2]

Specify a code from below for each of [1] and [2].
(e.g. R3Y-DA16W/CE/Q)

- Specify the specification for option code /Q
(e.g. /C01)

NO. OF CHANNELS

16: 16

[1] COMMUNICATION MODE

S: Single

W: Dual

[2] OPTIONS (multiple selections)

Standards & Approvals

blank: Without CE

/CE: CE marking

Other Options

blank: none

/Q: Option other than the above (specify the specification)

SPECIFICATIONS OF OPTION: Q

COATING (For the detail, refer to M-System's web site.)

/C01: Silicone coating

/C02: Polyurethane coating

/C03: Rubber coating

RELATED PRODUCTS

- Connector terminal block (model: CNT)
- Special cable with 40-pin connector (model: FCN)

GENERAL SPECIFICATIONS

Connection

Internal bus: Via the Installation Base (model: R3-BSx)

Input: 40-pin connector (OTAX N365P040AU
Fujitsu FCN-365P040-AU...discontinued))

Internal power: Via the Installation Base (model: R3-BSx)

Isolation: Input to internal bus or internal power

Excitation monitor: Selectable with side DIP switch; ON/OFF setting available

RUN indicator: Bi-color (red/green) LED;

Red when the bus A operates normally;

Green when the bus B operates normally;

Amber when both buses operate normally.

ERR indicator: Bi-color (red/green) LED;

Red with excitation abnormality;

Green in normal operating conditions.

Input status indicator: Red LED; turns on with the input ON.

Read rate: 1 / 5 / 10 / 20 / 50 / 70 / 100 / 200 msec.
selectable with DIP SW

INPUT SPECIFICATIONS

Number of input: 16 points

Isolation: Optical isolator + transformer (internal power supply)

Input resistance: Approx. 5.9 kΩ

Common: Negative commons, all points

Contact detecting: 13 V DC

(max. 24 V DC with no load)

ON current/resistance: ≥ 1.5 mA, ≤ 1.5 kΩ

OFF current/resistance: ≤ 0.75 mA, ≥ 18 kΩ

Detection levels

ON: ≥ 10 V

OFF: ≤ 4 V

INSTALLATION

Operating temperature: -10 to +55°C (14 to 131°F)

Operating humidity: 30 to 90 %RH (non-condensing)

Atmosphere: No corrosive gas or heavy dust

Mounting: Installation Base (model: R3-BSx)

Weight: 200 g (0.44 lb)

PERFORMANCE

Data allocation: 1

Current consumption: 100 mA

Insulation resistance: ≥ 100 MΩ with 500 V DC

Dielectric strength: 2000 V AC @ 1 minute

(input to internal bus or internal power)

2000 V AC @ 1 minute (power input to FG; isolated on the power supply module)

STANDARDS & APPROVALS

EU conformity:

EMC Directive

EMI EN 61000-6-4

EMS EN 61000-6-2

RoHS Directive

FUNCTIONS

■ EXCITATION MONITOR

Enabled/disabled with DIP switch setting.

• Excitation Monitor ON

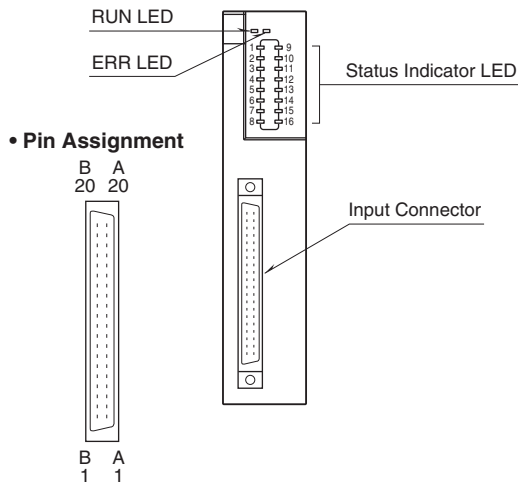
The input is held at the last status when the loss of excitation is detected.

• Excitation Monitor OFF

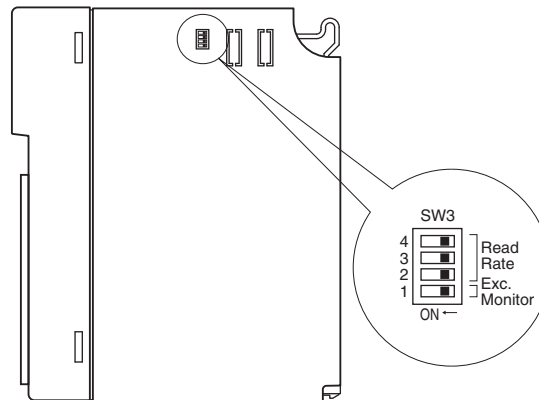
All input signals are turned off when the loss of excitation is detected.

EXTERNAL VIEW

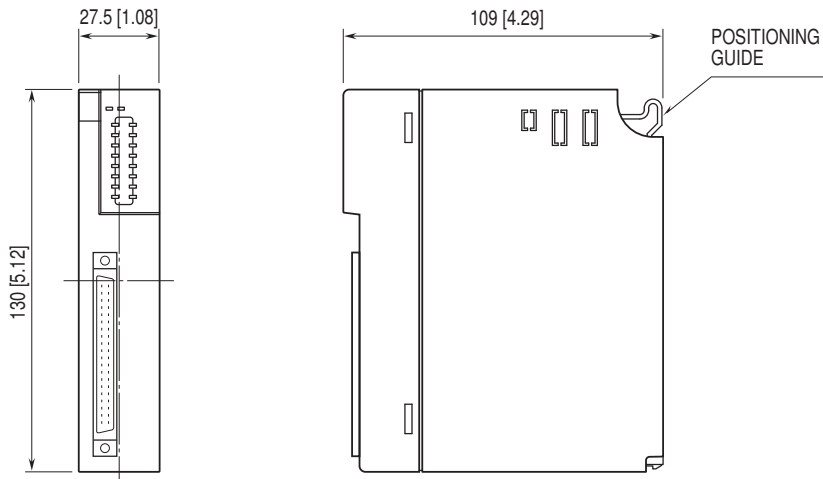
■ FRONT VIEW



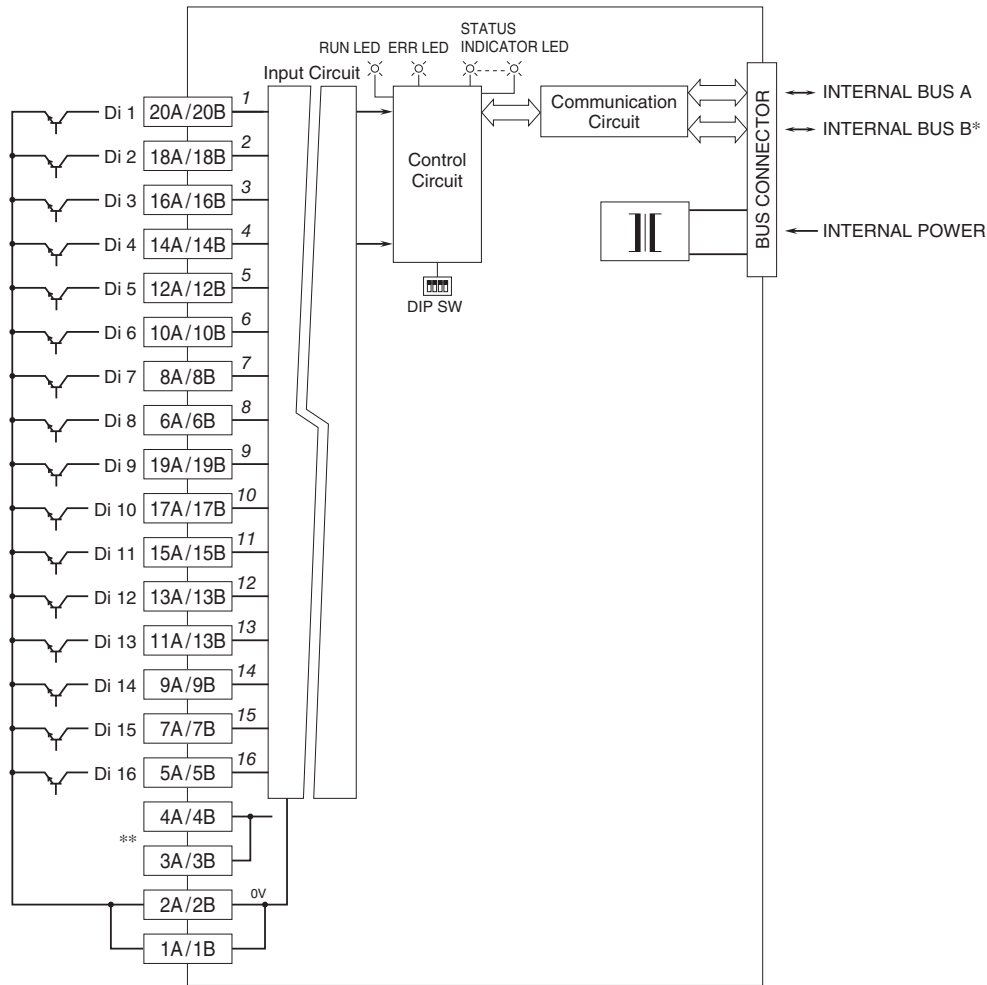
■ SIDE VIEW



EXTERNAL DIMENSIONS unit: mm [inch]

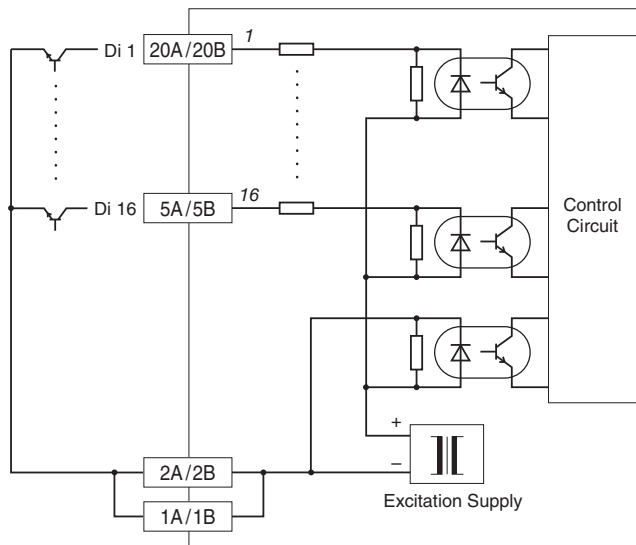


SCHEMATIC CIRCUITRY & CONNECTION DIAGRAM



Numbers in italic indicate LED No.s assigned to the front panel LEDs.
 * For dual redundant communication.
 **DO NOT connect to the pins 4A/4B or 3A/3B.

• Input Circuit



INPUT CONNECTOR (40-pin)

PIN NO	ASSIGNMENT	PIN NO	ASSIGNMENT
1A	0V	1B	0V
2A	0V	2B	0V
3A	NC	3B	NC
4A	NC	4B	NC
5A	Di16	5B	Di16
6A	Di8	6B	Di8
7A	Di15	7B	Di15
8A	Di7	8B	Di7
9A	Di14	9B	Di14
10A	Di6	10B	Di6
11A	Di13	11B	Di13
12A	Di5	12B	Di5
13A	Di12	13B	Di12
14A	Di4	14B	Di4
15A	Di11	15B	Di11
16A	Di3	16B	Di3
17A	Di10	17B	Di10
18A	Di2	18B	Di2
19A	Di9	19B	Di9
20A	Di1	20B	Di1



Specifications are subject to change without notice.