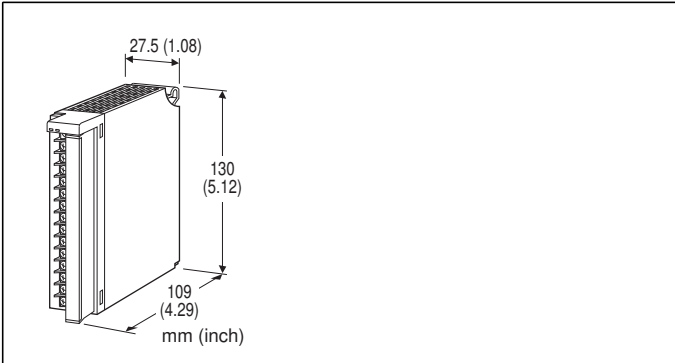


Remote I/O R3 Series

DC VOLTAGE INPUT MODULE

(8 points, isolated, wide span voltage up to ± 50 V)



MODEL: R3-SV8C[1][2]

ORDERING INFORMATION

- Code number: R3-SV8C[1][2]
- Specify a code from below for each of [1] and [2].
(e.g. R3-SV8CW/Q)
- Specify the specification for option code /Q
(e.g. /C01/SET)

NO. OF CHANNELS

8C: 8 points, wide span voltage up to ± 50 V

[1] COMMUNICATION MODE

S: Single
W: Dual

[2] OPTIONS

blank: none
/Q: With options (specify the specification)

SPECIFICATIONS OF OPTION: Q (multiple selections)

COATING (For the detail, refer to M-System's web site.)

- /C01: Silicone coating
- /C02: Polyurethane coating
- /C03: Rubber coating

EX-FACTORY SETTING

/SET: Preset according to the Ordering Information Sheet
(No. ESU-8423)

CAUTION

■ UNUSED INPUT CHANNELS

Set the unused channels to open. Otherwise, set them as "Unused" with PC Configurator software: R3CON.

GENERAL SPECIFICATIONS

Connection

Internal bus: Via the Installation Base (model: R3-BSx)
Input: M3 separable screw terminal (torque 0.5 N·m)
Internal power: Via the Installation Base (model: R3-BSx)

Screw terminal: Nickel-plated steel

Isolation: Input 1 to input 2 to input 3 to input 4 to input 5 to input 6 to input 7 to input 8 to internal bus or internal power
Input range: Selectable with the side DIP SW (per 4 channels)

Conversion rate: Selectable with the side DIP SW

RUN indicator: Bi-color (red/green) LED;
Red when the bus A operates normally;
Green when the bus B operates normally;
Amber when both buses operate normally.

ERR indicator: Bi-color (red/green) LED;
Red with input circuit abnormality (AD converter response failure);
Green in normal operating conditions.

INPUT SPECIFICATIONS

Input: -50 - +50 V, -25 - +25 V, 0 - 50 V, 0 - 25 V
Input resistance: 1 M Ω min.

INSTALLATION

Operating temperature: -10 to +55°C (14 to 131°F)
Operating humidity: 30 to 90 %RH (non-condensing)
Atmosphere: No corrosive gas or heavy dust
Mounting: Installation Base (model: R3-BSx)
Weight: 250 g (0.55 lb)

PERFORMANCE

Conversion accuracy: Refer to the table at the end of this section.

Conversion rate: 160 / 80 / 40 / 20 msec. selectable

Data range: 0 - 10000 of the input range

Data allocation: 8

Current consumption: 100 mA

Temp. coefficient: ± 0.015 %/°C (± 0.008 %/°F)

Insulation resistance: ≥ 100 M Ω with 500 V DC

Dielectric strength: 1000 V AC @ 1 minute (input 1 to input 2 to input 3 to input 4 to input 5 to input 6 to input 7 to input 8 to internal bus or internal power)

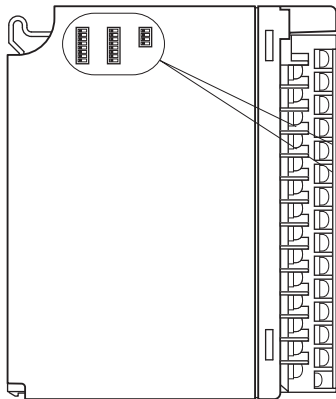
2000 V AC @ 1 minute (power input to FG; isolated on the power supply module)

Conversion accuracy

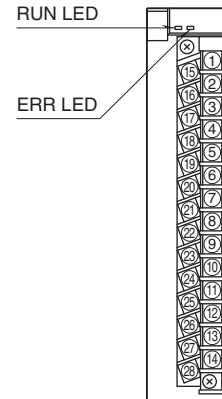
RANGE	RATE	160 msec.	80 msec.	40 msec.	20 msec.
All ranges		$\pm 0.1\%$	$\pm 0.2\%$	$\pm 0.4\%$	$\pm 0.8\%$

EXTERNAL VIEW

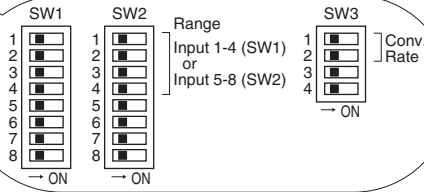
■ SIDE VIEW



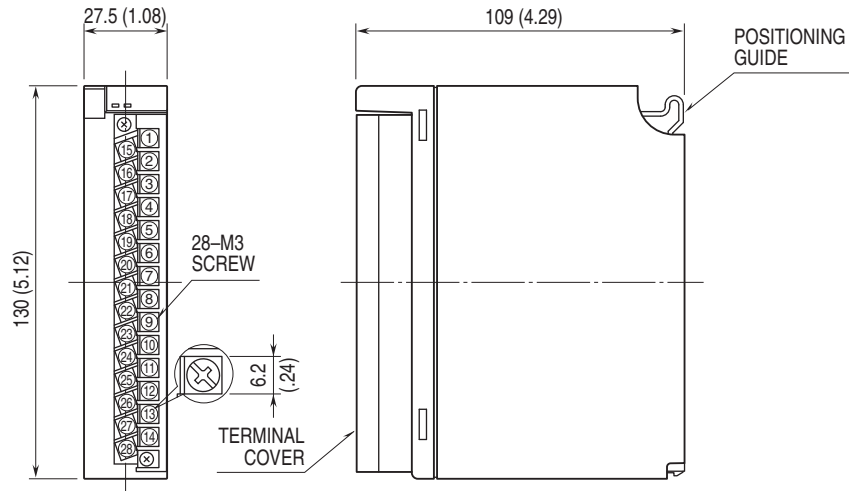
■ FRONT VIEW



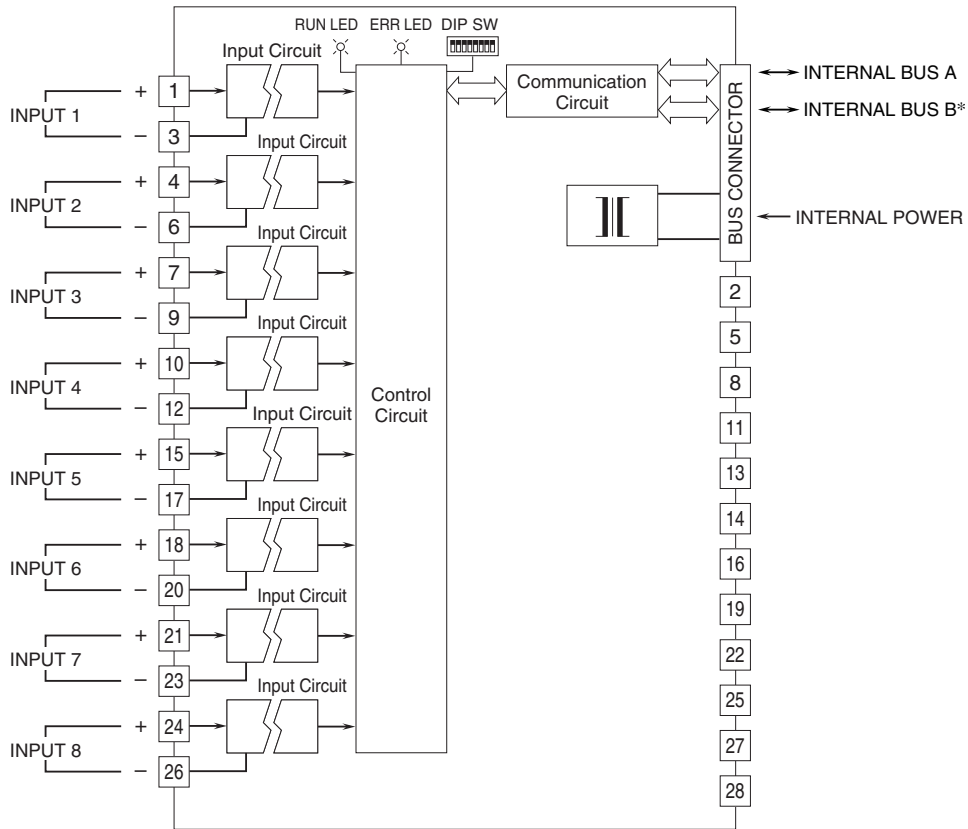
Functions



EXTERNAL DIMENSIONS & TERMINAL ASSIGNMENTS unit: mm (inch)



SCHEMATIC CIRCUITRY & CONNECTION DIAGRAM



*For dual redundant communication.
DO NOT connect external wiring to the unused terminals.



Specifications are subject to change without notice.