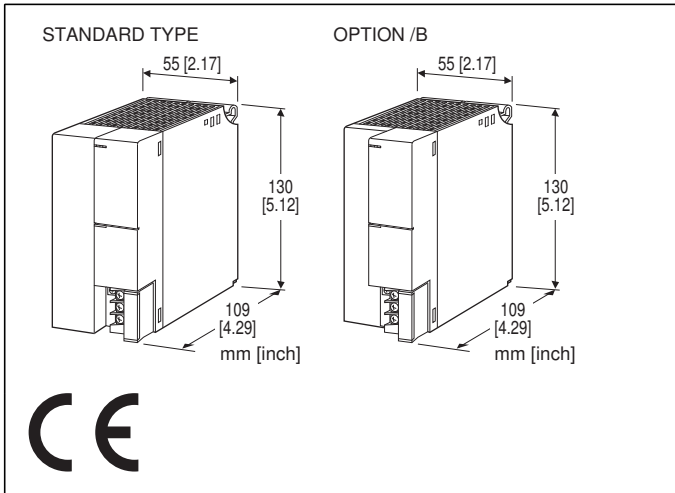


Remote I/O R3 Series

POWER SUPPLY MODULE

(double slot, continuous output current 2.0 A)



MODEL: R3-PS3-[1][2]

ORDERING INFORMATION

- Code number: R3-PS3-[1][2]
- Specify a code from below for each of [1] and [2].
(e.g. R3-PS3-K3/CE/B/Q)
- Specify the specification for option code /Q
(e.g. /C01)

[1] POWER INPUT

AC Power

- K:** 85 - 132 V AC
(Operational voltage range 85 - 132 V, 47 - 66 Hz)
(CE not available)
- K3:** 100 - 120V AC
(Operational voltage range 85 - 132 V, 47 - 66 Hz)
(Only /CE available)
- L:** 170 - 264 V AC
(Operational voltage range 170 - 264 V, 47 - 66 Hz)
(CE Not available)
- L3:** 200 - 240 V AC
(Operational voltage range 170 - 264 V, 47 - 66 Hz)
(Only /CE available)

DC Power

- R:** 24 V DC
(Operational voltage range 24 V \pm 10 %, ripple 10 %p-p max.)
- P:** 110 V DC
(Operational voltage range 85 - 150 V, ripple 10 %p-p max.)
(CE not available)

[2] OPTIONS (multiple selections)

Standards & Approvals

- blank: Without CE
- /CE: CE marking

Housing (refer to the external dimensions)

- blank: Standard type
- /B: Type B

Other Options

- blank: none
- /Q: Option other than the above (specify the specification)

SPECIFICATIONS OF OPTION: Q

COATING (For the detail, refer to M-System's web site.)

- /C01: Silicone coating
- /C02: Polyurethane coating
- /C03: Rubber coating

GENERAL SPECIFICATIONS

Connection

Internal power output: Via the Installation Base (model: R3-BSx)

Power input, RUN contact output: M3 separable screw terminal (torque 0.5 N·m)

Screw terminal: Nickel-plated steel

Isolation: Internal power to power input to RUN contact output to FG

Power indicator LED: Green LED turns on when the power is supplied.

■ RUN CONTACT OUTPUT

RUN contact: Turns on (closed) while the power is supplied.

Rated load: 250 V AC @ 0.5 A ($\cos \phi = 1$)

30 V DC @ 0.5 A (resistive load)

Maximum switching voltage: 250 V AC or 30 V DC

Maximum switching power: 250 VA or 150 W

Minimum load: 1 V DC @ 1 mA

Mechanical life: 2×10^7 cycles (rate 300 cycles/min.) When driving an inductive load, external contact protection and noise quenching recommended.

INSTALLATION

Power consumption (Output current: 2.0 A @ 20 V DC)

- AC: Approx. 100 VA

- DC: Approx. 50 W or 2.0 A at 24 V

Output current: 2.0 A continuous at 20 V DC;

2.2 A for 10 minutes

(For dual power supply, the specification of output current is same. Total current continuously consumed at the network modules, I/O modules and interface I/O modules must be within 2.0 A.)

Operating temperature: -10 to +55°C (14 to 131°F)

Operating humidity: 30 to 90 %RH (non-condensing)

Atmosphere: No corrosive gas or heavy dust

Mounting: Installation Base (model: R3-BSx)

Weight: 450 g (0.99 lb)

PERFORMANCE

Insulation resistance: $\geq 100 \text{ M}\Omega$ with 500 V DC

Dielectric strength: 2000 V AC @ 1 minute

(internal power to power input to RUN contact output to FG)

STANDARDS & APPROVALS

EU conformity:

EMC Directive

EMI EN 61000-6-4

EMS EN 61000-6-2

Low Voltage Directive

EN 61010-1, EN 61010-2-201

Measurement Category II (RUN contact output)

Installation Category II (power input)

Pollution Degree 2

Internal power to power input: Reinforced insulation

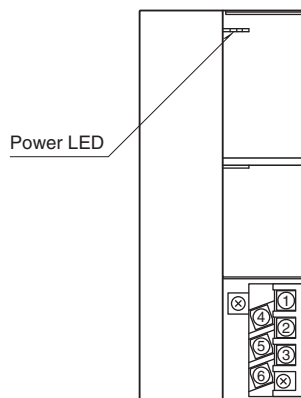
(300 V)

Internal power to RUN contact output: Basic insulation

(300 V)

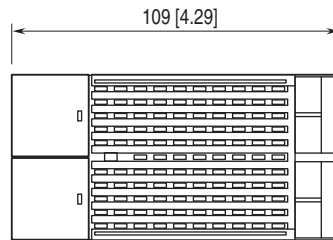
RoHS Directive

EXTERNAL VIEW

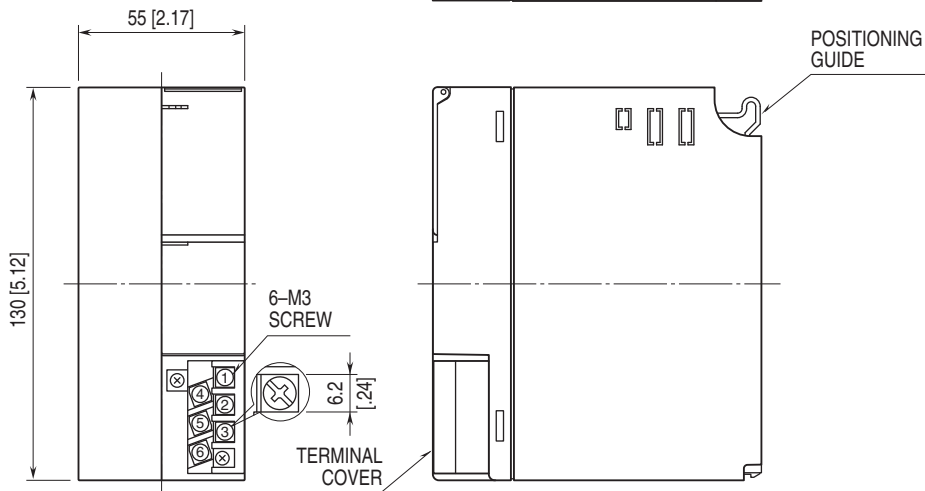
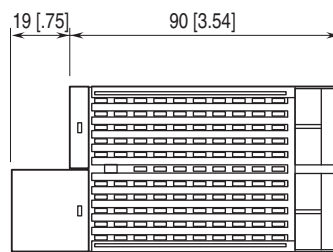


EXTERNAL DIMENSIONS & TERMINAL ASSIGNMENTS unit: mm [inch]

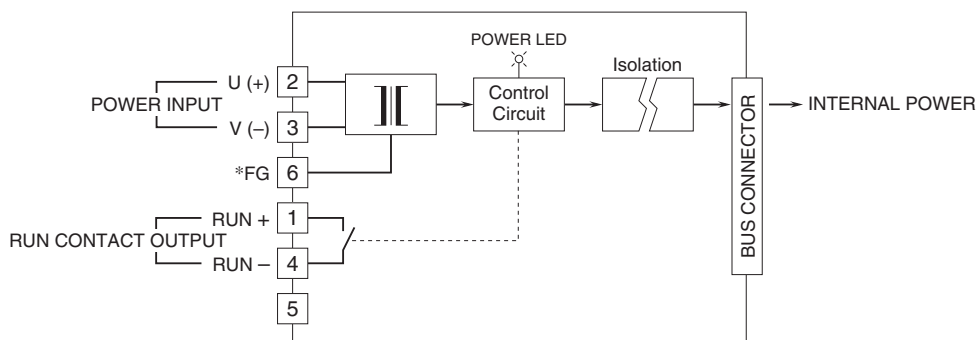
■ STANDARD TYPE



■ OPTION /B



SCHEMATIC CIRCUITRY & CONNECTION DIAGRAM



*In order to improve EMC performance, bond the FG terminal to the ground.
 Caution: This terminal is NOT a protective conductor terminal.



Specifications are subject to change without notice.