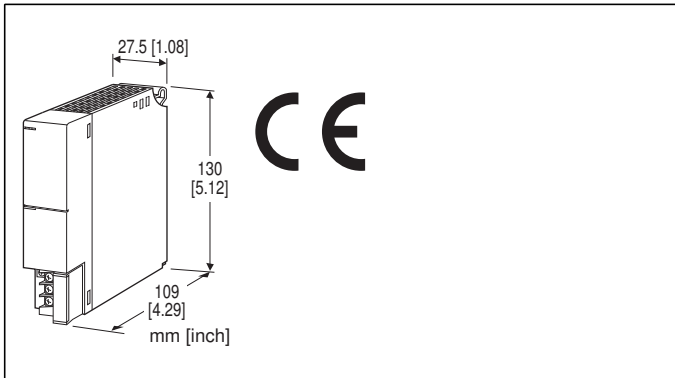


## Remote I/O R3 Series

### POWER SUPPLY MODULE

(single slot, continuous output current 750 mA)



### MODEL: R3-PS1-[1][2]

#### ORDERING INFORMATION

- Code number: R3-PS1-[1][2]
- Specify a code from below for each of [1] and [2].  
(e.g. R3-PS1-R/CE/Q)
- Specify the specification for option code /Q  
(e.g. /C01)

#### [1] POWER INPUT

##### AC Power

- K:** 85 - 132 V AC  
(Operational voltage range 85 - 132 V, 47 - 66 Hz)  
(CE not available)
- L:** 170 - 264 V AC  
(Operational voltage range 170 - 264 V, 47 - 66 Hz)  
(CE Not available)

##### DC Power

- R:** 24 V DC  
(Operational voltage range 24 V  $\pm$ 10 %, ripple 10 %p-p max.)
- P:** 110 V DC  
(Operational voltage range 85 - 150 V, ripple 10 %p-p max.)  
(CE not available)

#### [2] OPTIONS (multiple selections)

##### Standards & Approvals

- blank:** Without CE
- /CE:** CE marking

##### Other Options

- blank:** none
- /Q:** Option other than the above (specify the specification)

#### SPECIFICATIONS OF OPTION: Q

**COATING (For the detail, refer to M-System's web site.)**

- /C01:** Silicone coating
- /C02:** Polyurethane coating
- /C03:** Rubber coating

#### GENERAL SPECIFICATIONS

##### Connection

**Internal power output:** Via the Installation Base (model: R3-BSx)

**Power input, RUN contact output:** M3 separable screw terminal (torque 0.5 N·m)

**Screw terminal:** Nickel-plated steel

**Isolation:** Internal power to power input to RUN contact output to FG

**Power indicator LED:** Green LED turns on when the power is supplied.

##### ■ RUN CONTACT OUTPUT

**RUN contact:** Turns on (closed) while the power is supplied.  
(Available with Ver.1.01 or higher versions)

**Rated load:** 250 V AC @ 0.5 A ( $\cos \phi = 1$ )  
30 V DC @ 0.5 A (resistive load)

(Less than 50 V AC to conform with EU Directive)

**Maximum switching voltage:** 250 V AC or 30 V DC

**Maximum switching power:** 250 VA or 150 W

**Minimum load:** 1 V DC @ 1 mA

**Mechanical life:**  $2 \times 10^7$  cycles (300 cycles/min.)

When driving an inductive load, external contact protection and noise quenching recommended.

#### INSTALLATION

**Power consumption** (Output current: 750 mA @ 20 V DC)

- **AC:** Approx. 45 VA
- **DC:** Approx. 29 W or 1.2 A at 24 V

**Output current:** 750 mA continuous at 20 V DC; 1000 mA for 10 minutes

(Total current continuously consumed at the network modules and I/O modules must be within 750 mA.)

**Operating temperature:** -10 to +55°C (14 to 131°F)

**Operating humidity:** 30 to 90 %RH (non-condensing)

**Atmosphere:** No corrosive gas or heavy dust

**Mounting:** Installation Base (model: R3-BSx)

**Weight:** 250 g (0.55 lb)

#### PERFORMANCE

**Insulation resistance:**  $\geq 100 \text{ M}\Omega$  with 500 V DC

**Dielectric strength:** 2000 V AC @ 1 minute

(internal power to power input to RUN contact output to FG)

## STANDARDS & APPROVALS

EU conformity:

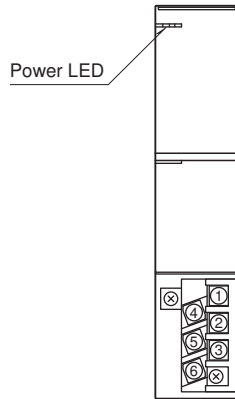
EMC Directive

EMI EN 61000-6-4

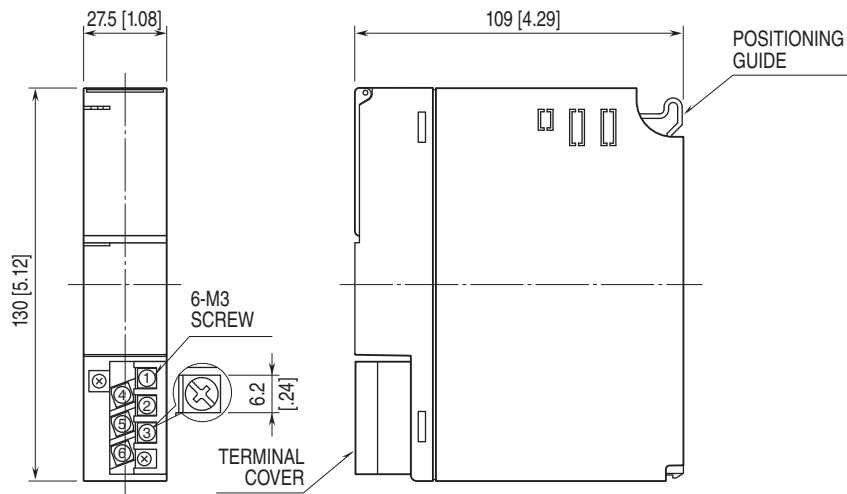
EMS EN 61000-6-2

RoHS Directive

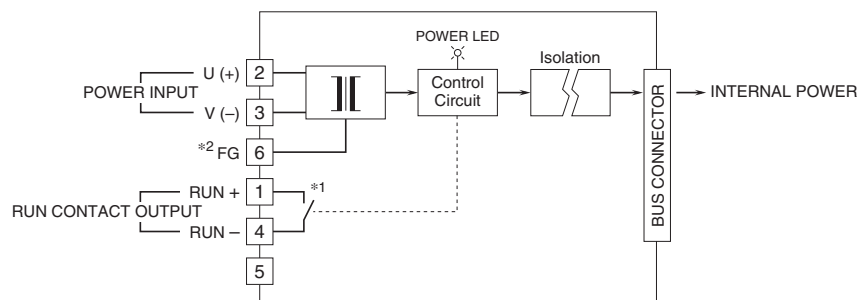
## EXTERNAL VIEW



## EXTERNAL DIMENSIONS & TERMINAL ASSIGNMENTS unit: mm [inch]



## SCHEMATIC CIRCUITRY & CONNECTION DIAGRAM



\*1. RUN contact is available with Ver.1.01 or higher versions.

\*2. In order to improve EMC performance, bond the FG terminal to a ground.

Caution: This terminal is NOT a protective conductor terminal.



Specifications are subject to change without notice.