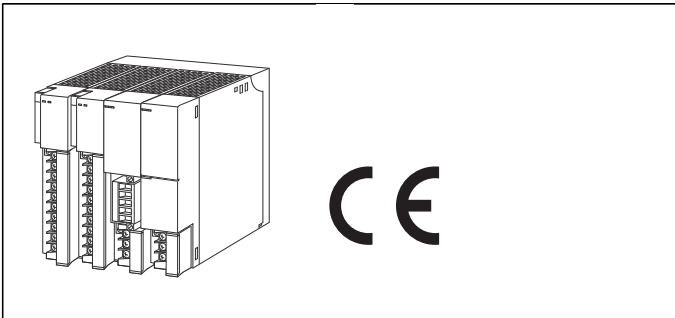


Remote I/O R3 Series

INSTALLATION BASE



MODEL: R3-BS[1][2]

ORDERING INFORMATION

- Code number: R3-BS[1][2]
Specify a code from below for each of [1] and [2].
(e.g. R3-BS10/CE/Q)
- Specify the specification for option code /Q
(e.g. /C01)

[1] NUMBER OF SLOTS

- 02: 2 slots
- 02P: 2 slots (R3-NP1 only)
- 04: 4 slots
- 06: 6 slots
- 08: 8 slots
- 10: 10 slots
- 12: 12 slots
- 14: 14 slots
- 16: 16 slots

[2] OPTIONS (multiple selections)

Standards & Approvals

blank: Without CE

/CE: CE marking

Other Options

blank: none

/Q: Option other than the above (specify the specification)

SPECIFICATIONS OF OPTION: Q

COATING (For the detail, refer to M-System's web site.)

Only solder side of the main PWB is coated.

/C01: Silicone coating

/C02: Polyurethane coating

/C03: Rubber coating

GENERAL SPECIFICATIONS

Capacity:

- R3-BS02: 2 modules
- R3-BS02P: 2 modules
- R3-BS04: 4 modules
- R3-BS06: 6 modules
- R3-BS08: 8 modules
- R3-BS10: 10 modules
- R3-BS12: 12 modules
- R3-BS14: 14 modules
- R3-BS16: 16 modules

INSTALLATION

Operating temperature: -10 to +55°C (14 to 131°F)

Operating humidity: 30 to 90 %RH (non-condensing)

Atmosphere: No corrosive gas or heavy dust

Mounting: Surface or DIN rail

Weight (No remote I/O module mounted)

- R3-BS02: 100 g (0.22 lb)
- R3-BS02P: 100 g (0.22 lb)
- R3-BS04: 150 g (0.33 lb)
- R3-BS06: 200 g (0.44 lb)
- R3-BS08: 250 g (0.55 lb)
- R3-BS10: 350 g (0.77 lb)
- R3-BS12: 400 g (0.88 lb)
- R3-BS14: 450 g (0.99 lb)
- R3-BS16: 500 g (1.10 lb)

STANDARDS & APPROVALS

EU conformity:

EMC Directive

EMI EN 61000-6-4

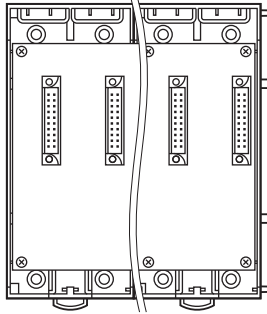
EMS EN 61000-6-2

RoHS Directive

EXTERNAL VIEW

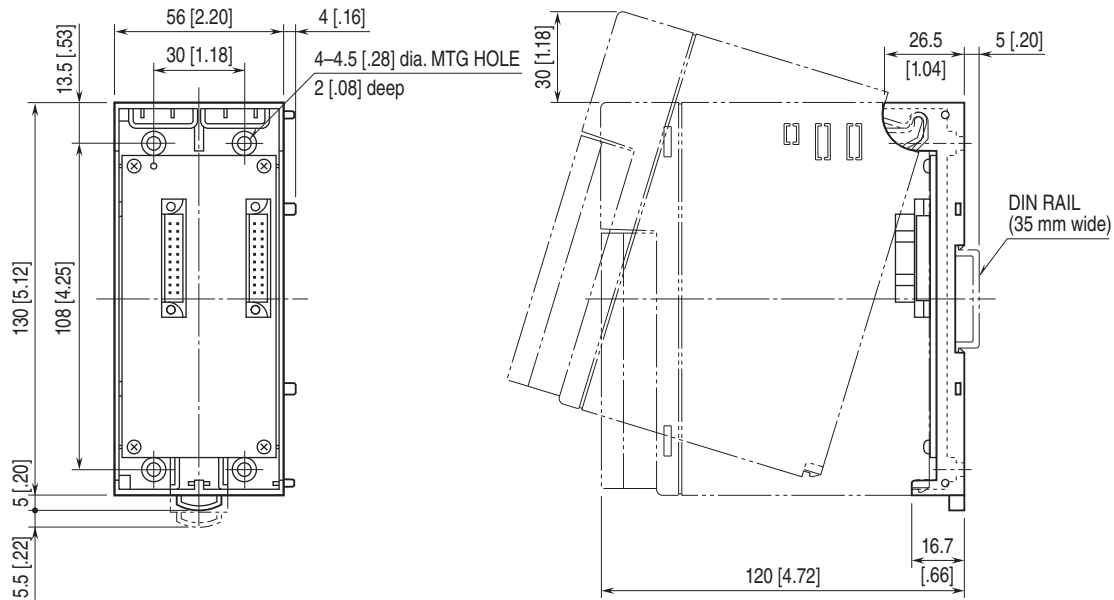
Mount the I/O Modules from the left end (I/O 1) to the right in order that the Network Module assigns data areas from I/O 1. Be sure to install a network module on the right side of the I/O modules. For a power supply module, be sure to install in the right end slot for heat dissipation. In the case of redundant power supply, consecutively install them in the right end slot.

I/O 1 I/O 2 I/O n

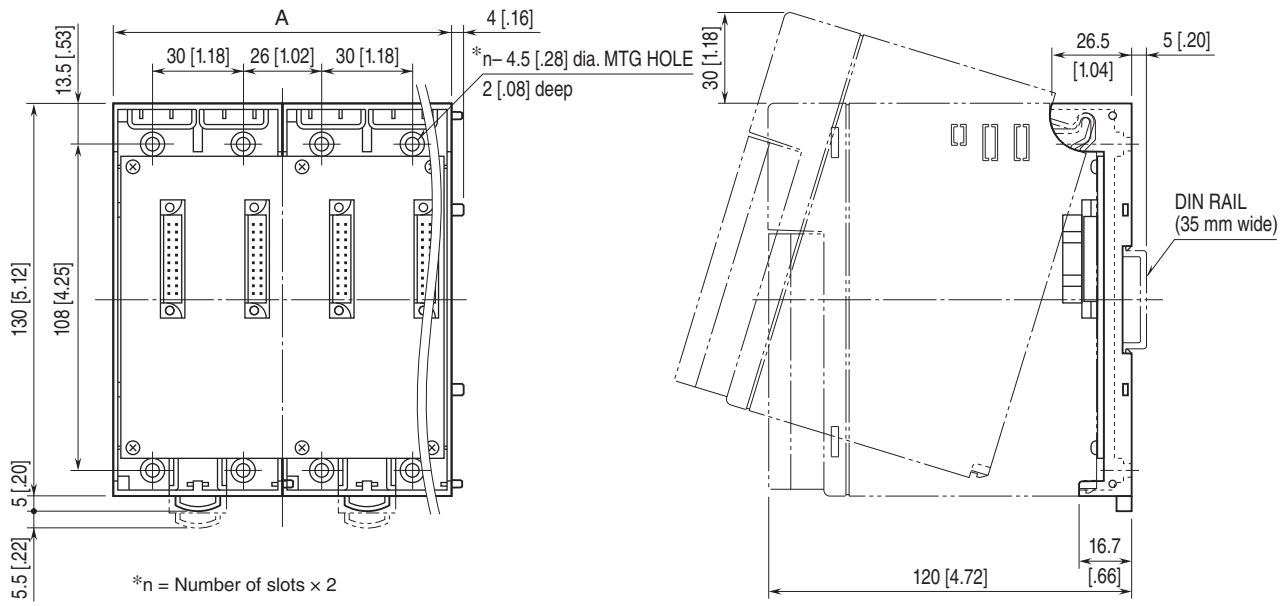


EXTERNAL DIMENSIONS unit: mm [inch]

■R3-BS02, BS02P



■R3-BS04, BS06, BS08, BS10, BS12, BS14, BS16

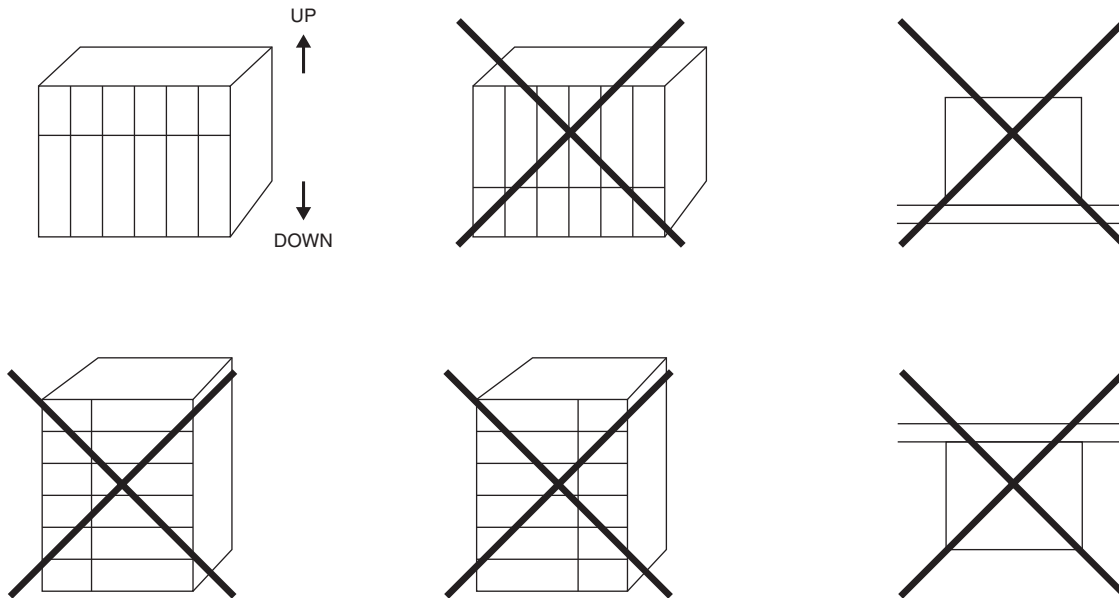


MODEL	SIZE	A
R3-BS04		112 [4.40]
R3-BS06		168 [6.61]
R3-BS08		224 [8.82]
R3-BS10		280 [11.02]
R3-BS12		336 [13.23]
R3-BS14		392 [15.43]
R3-BS16		448 [17.64]

MOUNTING REQUIREMENTS unit: mm [inch]

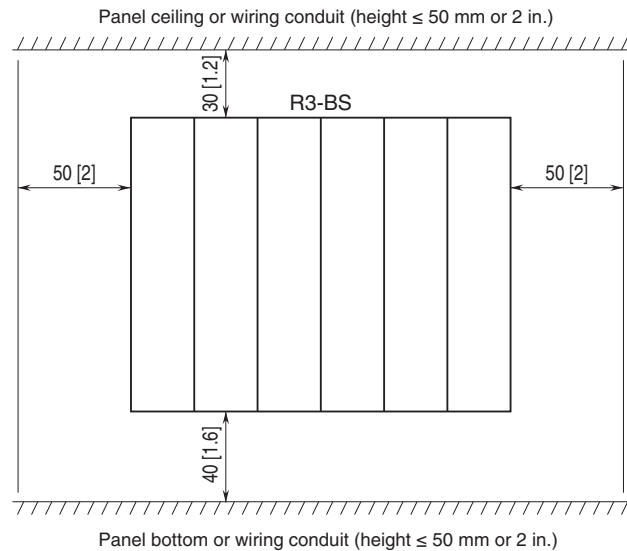
■ MOUNTING DIRECTION

The unit must be mounted on a vertical panel. Mounting in any other angle will cause internal temperature to rise, may shorten the product's life expectation or deteriorate its performance.

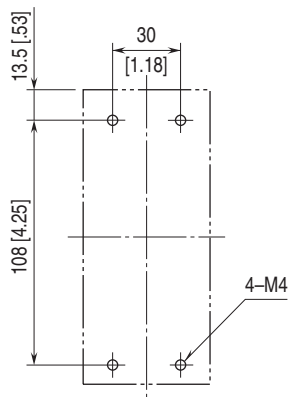


■ VENTILATION & MAINTENANCE SPACE

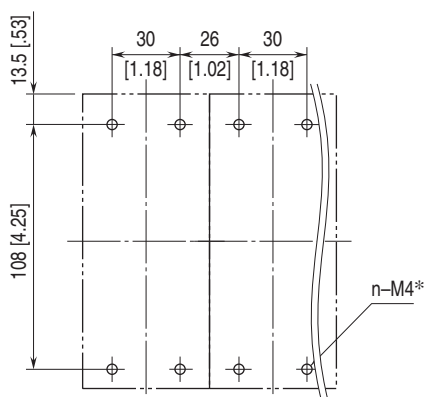
Maintain sufficient ventilation space. Do not mount the unit directly above devices which radiate great heat such as heaters, transformers or resistors. Maintenance space is also required above and below the unit.



■ R3-BS02, BS02P



■ R3-BS04, BS06, BS08, BS10, BS12, BS14, BS16



*n = Number of slots × 2



Specifications are subject to change without notice.