

**ONE-SHOT PULSE OUTPUT MODULE**  
(triac output, 16 points)MODEL **R3-PD16B****BEFORE USE ....**

Thank you for choosing M-System. Before use, please check contents of the package you received as outlined below.

If you have any problems or questions with the product, please contact M-System's Sales Office or representatives.

**■ PACKAGE INCLUDES:**

One-shot pulse output module .....(1)

**■ MODEL NO.**

Confirm Model No. marking on the product to be exactly what you ordered.

**■ INSTRUCTION MANUAL**

This manual describes necessary points of caution when you use this product, including installation, connection and basic maintenance procedures.

**POINTS OF CAUTION****■ HOT SWAPPABLE MODULES**

- Replacing the module does not affect other modules on the same base. Thus, the module can be replaced while the power is ON. However, replacing multiple modules at once may greatly change live voltage levels. We highly recommend to replace them one by one.
- ON/OFF control output mode and One-shot output mode have the function of preventing erroneous output right after hot swapping modules. Data is synchronized with data stored in the interface module in the initial communication after hot swapping.

Data will not be output from a channel even if '1' is previously written in Do before hot swapping or the PLC/PC writes '1' to Do when communication has started after hot swapping. Be sure to write '0' then '1' to Do in the initial communication.

When R3-PD16B is used in combination with a Modbus interface module (model: R3-NM1, R3-NE1, etc.) that does not support cyclic communication, be sure to write output data immediately before hot swapping.

**■ GENERAL PRECAUTIONS**

- DO NOT set the switches on the module while the power is supplied. The switches are used only for maintenance without the power.

**■ ENVIRONMENT**

- Indoor use.
- When heavy dust or metal particles are present in the air, install the unit inside proper housing with sufficient ventilation.
- Do not install the unit where it is subjected to continuous vibration. Do not subject the unit to physical impact.
- Environmental temperature must be within -10 to +55°C (14 to 131°F) with relative humidity within 30 to 90% RH in order to ensure adequate life span and operation.

**■ WIRING**

- Do not install cables close to noise sources (relay drive cable, high frequency line, etc.).
- Do not bind these cables together with those in which noises are present. Do not install them in the same duct.
- Install a CR absorber for noise suppression.

**■ AND ....**

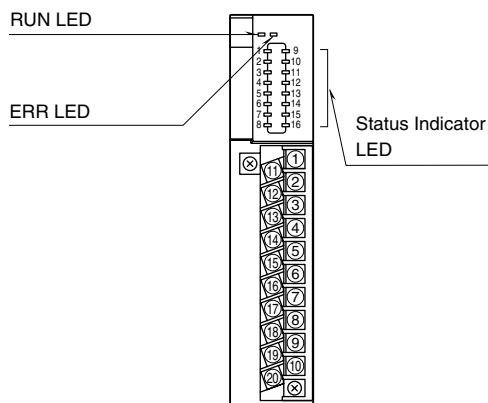
- The triacs for output may be damaged, if output load is shorted when using. Install a fuse for each output terminals.
- When the pause period set in the PLC/PC is long, internal data of R3-PD16B will be cleared due to communication timeout. In order to hold the internal data, set the timeout period so as to be longer than the pause period via the PC configurator software (model:R3CON).

**INSTALLATION**

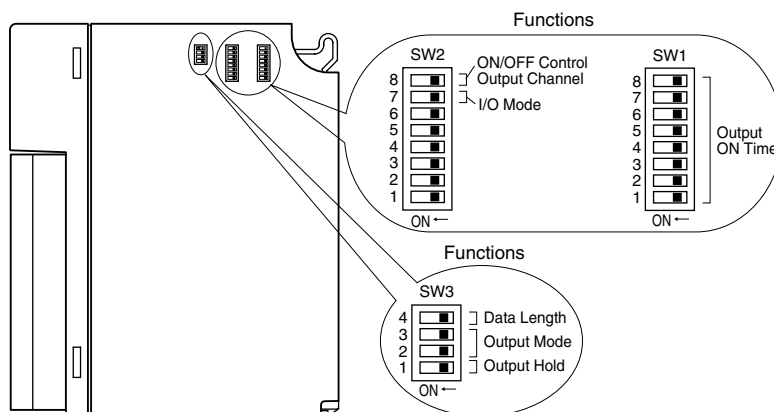
Use the Installation Base (model: R3-BSx).

# COMPONENT IDENTIFICATION

## FRONT VIEW



## SIDE VIEW



### STATUS INDICATOR LED

**RUN indicator:** Bi-color (red/green) LED;  
 Red when the bus A operates normally;  
 Green when the bus B operates normally;  
 Amber when both buses operate normally.

**ERR indicator:** Bi-color (red/ green) LED;  
 Green in normal operating conditions;  
 Red with abnormal configuration.

**Output status indicator:** Red LED; turns on with the output ON.

### SIDE DIP SW

(\*)Factory setting

#### I/O Mode Setting: SW2-7

Set output operation mode (Whether Output Complete Status indicator is ON or OFF) \*1

SW	I/O MODE	
	Input and Output	Output
SW2-7	OFF (*)	ON

\*1. Output completion status is compatible with interface modules model: R3-NC1, -NC3, -NE1, -NM1 and -NDx of firmware version V2.00 or higher. Other interface modules are not compatible. So, set I/O Mode as output (SW2-7: ON) to use it.

Note 1: R3-NL1 and R3-NL2 are not available with this model.

#### Output ON time: SW1

For setting Output ON time, DIP switch 1 through 8 correspond to each binary digit 1st through 8th digit. For every setting, ON time will be as indicated below.

SW	OUTPUT ON TIME (sec.)							
	0.1 (*)	0.2	0.3	0.4	0.5	...	25.5	25.6
SW1-1	OFF	ON	OFF	ON	OFF	...	OFF	ON
SW1-2	OFF	OFF	ON	ON	OFF		ON	ON
SW1-3	OFF	OFF	OFF	OFF	ON		ON	ON
SW1-4	OFF	OFF	OFF	OFF	OFF		ON	ON
SW1-5	OFF	OFF	OFF	OFF	OFF		ON	ON
SW1-6	OFF	OFF	OFF	OFF	OFF		ON	ON
SW1-7	OFF	OFF	OFF	OFF	OFF		ON	ON
SW1-8	OFF	OFF	OFF	OFF	OFF		ON	ON

Note 2: Be sure to set unused SW2-1 through 2-6 to OFF.

#### ON/OFF Control Output Channel: SW2-8

ON/OFF control output channel is swappable with its pair.

SW	ON/OFF CONTROL OUTPUT CHANNEL	
	Not Swapped	Swapped
SW2-8	OFF (*)	ON

#### Output Hold Function: SW3-1

Effective only in continuance output mode

SW	OUTPUT HOLD FUNCTION	
	HOLD	OFF
SW3-1	OFF (*)	ON

#### Output Mode: SW3-2, 3-3

SW		OUTPUT MODE
SW3-2	SW3-3	
OFF	OFF	One-Shot Output Mode (*)
ON	OFF	ON/OFF Control Output Mode
OFF	ON	Continuance Output Mode

#### Output Data Length: SW3-4

Effective only in ON/OFF control output mode

SW	OUTPUT DATA LENGTH	
	16 bit	8 bit
SW3-4	OFF (*)	ON

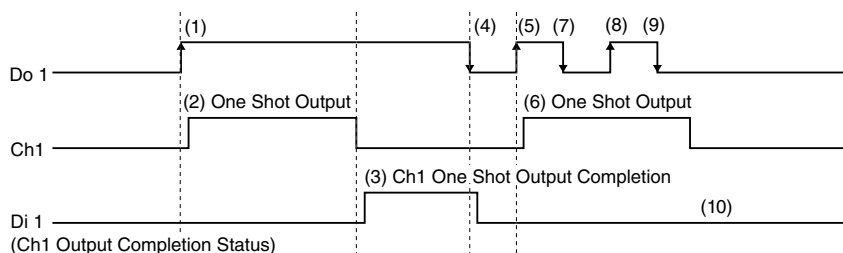
## EXAMPLE OF OPERATION MODES

The operation mode can be set with the side DIP switch. Also output hold and output OFF at a continuous output mode can be set.

### ■ ONE-SHOT OUTPUT MODE (1 through 4 show changes after Do 1 is completed. 5 through 10 changes Do 1 during output state.)

Example of I/O Mode is in Output Operation. (SW2-7: OFF)

- (1) Output data Do 1 changes from 0 to 1.
- (2) After Do 1's rising edge, Ch1's one-shot output turns ON for a fixed period of time (SW1's time set).
- (3) After one-shot output completion, Di 1 (Ch1 output completed status) changes from 0 to 1.
- (4) When Do 1 changes from 1 to 0, Di 1 changes from 1 to 0.
- (5) Output Data Do 1 changes from 0 to 1 again.
- (6) After Do 1's rising edge, Ch1's one-shot output turns ON for a fixed period of time (SW1's time set).
- (7) (8) (9) During one-shot output is ON, Do 1 changes from 0 to 1 to 0.
- (10) Since Do 1 changes to 0 during one-shot output is 1, Di 1 (Ch1 output completion status) doesn't change.



Note: During one shot output is on, rising edge and sinking edge are not detected.

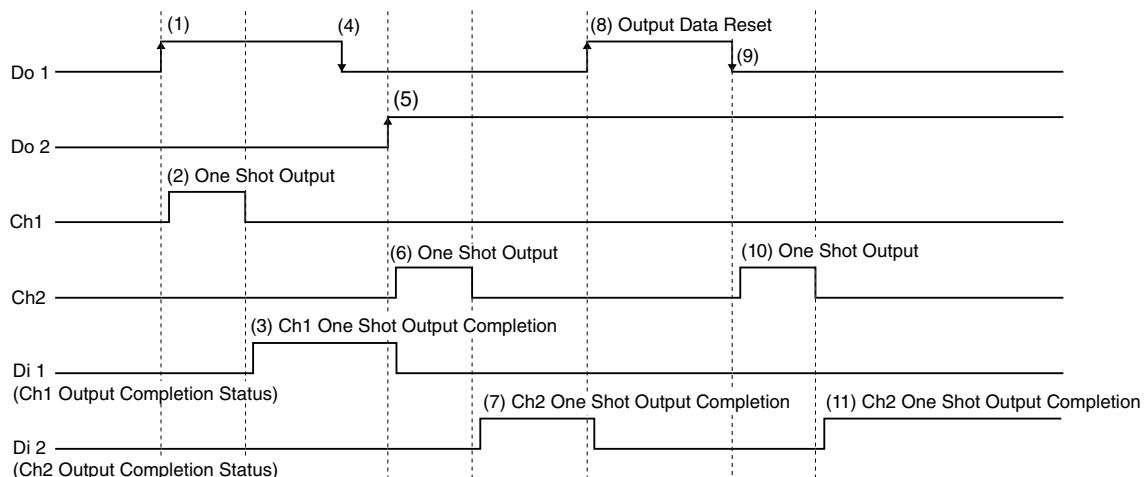
### ■ ON/OFF CONTROL OUTPUT MODE

#### • Data Length: 16 bits

Example that ON/OFF control outputs sequentially Ch1 to Ch2 to Ch2 is shown below.

Example of when I/O Mode is in Output Operation (SW2-7: OFF) and ON/OFF Control channel is Not Swapped (SW2-8: OFF).

- (1) Output data Do 1 changes from 0 to 1.
- (2) After Do 1's rising edge, Ch1's one-shot output turns ON for a fixed period of time (SW1's time set).
- (3) After one-shot output completion, Di 1 (Ch1 output completed status) changes from 0 to 1.
- (4) Do 1 changes from 1 to 0.
- (5) When output data Do 2 changes from 0 to 1, Di 1 will change from 1 to 0.
- (6) After Do 2's rising edge, Ch2's one-shot output turns ON for a fixed period of time (SW1's time set).
- (7) After Ch2's one-shot output completion, Di 2 changes from 0 to 1.
- (8) When Do 1 changes 0 to 1 during Do 2 is 1, Di 2 changes 1 to 0 (output data reset).
- (9) Do 1 changes from 1 to 0.
- (10) After Do 1's sinking edge, Ch2's one-shot output turns ON for a fixed period of time (SW1's time set).
- (11) After Ch2's one-shot output completion, Di 2 changes from 0 to 1.



Note: During one shot output is on, rising edge and sinking edge are not detected.

### • Data Length: 8 bits

Example that ON/OFF control outputs sequentially Ch2 to Ch1 is shown below.

Example of when I/O Mode is in Output Operation (SW2-7: OFF) and ON/OFF Control channel is Not Swapped (SW2-8: OFF).

(1) Output data Do 1 changes from 0 to 1.

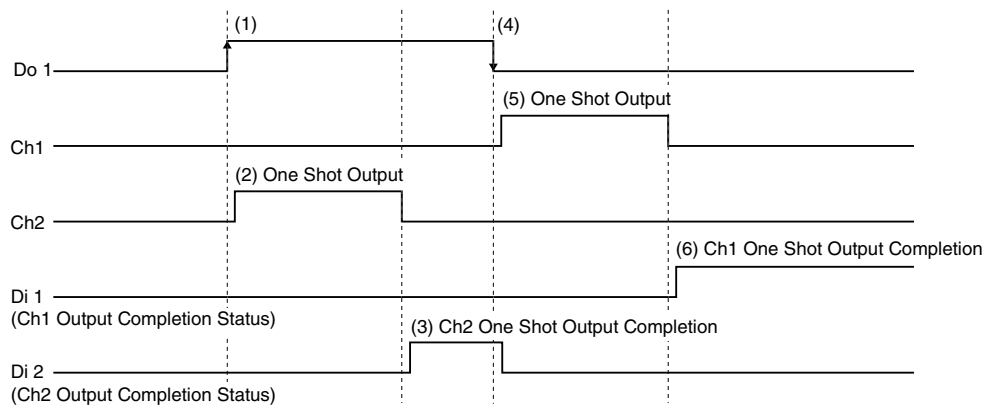
(2) After Do 1's rising edge, Ch2's one-shot output turns ON for a fixed period of time (SW1's time set).

(3) After one-shot output completion, Di 2 (Ch2 output completed status) changes from 0 to 1.

(4) When Do 1 changes from 1 to 0, Di 2 changes from 1 to 0.

(5) After Do 1's sinking edge, Ch1's one-shot output turns ON for a fixed period of time (SW1's time set).

(6) After one-shot output completion, Di 1 (Ch1 output completed status) changes from 0 to 1.

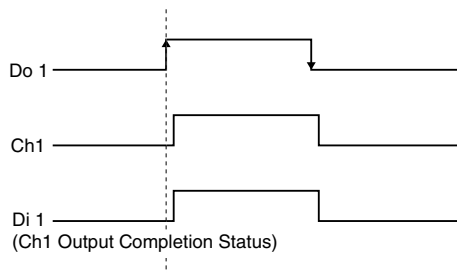


Note: During one shot output is on, rising edge and sinking edge are not detected.

### ■ CONTINUOUS OUTPUT MODE

Example of Ch1 is shown below.

Example of I/O Mode is in Output Operation. (SW2-7: OFF)



## I/O DATA DESCRIPTIONS

### ■ ONE-SHOT OUTPUT MODE

16-bit output data (Do 1 through 16) and output (Ch1 through 16) are assigned 1:1.

When I/O Mode is in Output Operation (SW2-7: ON), Output Complete Status is not indicated.

Do	WRITE	ONE-SHOT OUTPUT/RESET	Di	OUTPUT COMPLETION STATUS
Do 1	1	Ch1 Output	Di 1	Ch1 Output Completion Status
	0	Ch1 Output Completion Reset		
Do 2	1	Ch2 Output	Di 2	Ch2 Output Completion Status
	0	Ch2 Output Completion Reset		
Do 3	1	Ch3 Output	Di 3	Ch3 Output Completion Status
	0	Ch3 Output Completion Reset		
Do 4	1	Ch4 Output	Di 4	Ch4 Output Completion Status
	0	Ch4 Output Completion Reset		
Do 5	1	Ch5 Output	Di 5	Ch5 Output Completion Status
	0	Ch5 Output Completion Reset		
Do 6	1	Ch6 Output	Di 6	Ch6 Output Completion Status
	0	Ch6 Output Completion Reset		
Do 7	1	Ch7 Output	Di 7	Ch7 Output Completion Status
	0	Ch7 Output Completion Reset		
Do 8	1	Ch8 Output	Di 8	Ch8 Output Completion Status
	0	Ch8 Output Completion Reset		
Do 9	1	Ch9 Output	Di 9	Ch9 Output Completion Status
	0	Ch9 Output Completion Reset		
Do 10	1	Ch10 Output	Di 10	Ch10 Output Completion Status
	0	Ch10 Output Completion Reset		
Do 11	1	Ch11 Output	Di 11	Ch11 Output Completion Status
	0	Ch11 Output Completion Reset		
Do 12	1	Ch12 Output	Di 12	Ch12 Output Completion Status
	0	Ch12 Output Completion Reset		
Do 13	1	Ch13 Output	Di 13	Ch13 Output Completion Status
	0	Ch13 Output Completion Reset		
Do 14	1	Ch14 Output	Di 14	Ch14 Output Completion Status
	0	Ch14 Output Completion Reset		
Do 15	1	Ch15 Output	Di 15	Ch15 Output Completion Status
	0	Ch15 Output Completion Reset		
Do 16	1	Ch16 Output	Di 16	Ch16 Output Completion Status
	0	Ch16 Output Completion Reset		

### ■ ON/OFF CONTROL OUTPUT MODE

#### • Data Length: 16 bits

Do 1 through 16 are assigned to Ch1 through 16.

When I/O Mode is in Output Operation (SW2-7: ON), Output Complete Status is not indicated.

Do	WRITE	ONE-SHOT OUTPUT/RESET	Di	OUTPUT COMPLETION STATUS
Do 1 Do 2	0 0	Not Operating		
	1 0	Ch1 Output	Di 1	Ch1 Output Completion Status
	0 1	Ch2 Output	Di 2	Ch2 Output Completion Status
	1 1	Output Data Reset		
Do 3 Do 4	0 0	Not Operating		
	1 0	Ch3 Output	Di 3	Ch3 Output Completion Status
	0 1	Ch4 Output	Di 4	Ch4 Output Completion Status
	1 1	Output Data Reset		
Do 5 Do 6	0 0	Not Operating		
	1 0	Ch5 Output	Di 5	Ch5 Output Completion Status
	0 1	Ch6 Output	Di 6	Ch6 Output Completion Status
	1 1	Output Data Reset		
Do 7 Do 8	0 0	Not Operating		
	1 0	Ch7 Output	Di 7	Ch7 Output Completion Status
	0 1	Ch8 Output	Di 8	Ch8 Output Completion Status
	1 1	Output Data Reset		
Do 9 Do 10	0 0	Not Operating		
	1 0	Ch9 Output	Di 9	Ch9 Output Completion Status
	0 1	Ch10 Output	Di 10	Ch10 Output Completion Status
	1 1	Output Data Reset		
Do 11 Do 12	0 0	Not Operating		
	1 0	Ch11 Output	Di 11	Ch11 Output Completion Status
	0 1	Ch12 Output	Di 12	Ch12 Output Completion Status
	1 1	Output Data Reset		
Do 13 Do 14	0 0	Not Operating		
	1 0	Ch13 Output	Di 13	Ch13 Output Completion Status
	0 1	Ch14 Output	Di 14	Ch14 Output Completion Status
	1 1	Output Data Reset		
Do 15 Do 16	0 0	Not Operating		
	1 0	Ch15 Output	Di 15	Ch15 Output Completion Status
	0 1	Ch16 Output	Di 16	Ch16 Output Completion Status
	1 1	Output Data Reset		

The above table shows the case of Not Swapped (SW2-8: OFF). ON/OFF control output is swapped with its pair when SW2-8 is ON. The following is an example of Do 1 and Do 2.

Do	WRITE	ONE-SHOT OUTPUT/RESET	Di	OUTPUT COMPLETION STATUS
Do 1 Do 2	0 0	Not Operating		
	1 0	Ch2 Output	Di 2	Ch2 Output Completion Status
	0 1	Ch1 Output	Di 1	Ch1 Output Completion Status
	1 1	Output Data Reset		

• **Data Length: 8 bits**

Do 1 through 8 are assigned to Ch1 through 16 as 1:2.

One (1) data sets two (2) outputs. When I/O Mode is in Output Operation (SW2-7: ON), Output Complete Status is not indicated.

Do	WRITE	ONE-SHOT OUTPUT/RESET	Di	OUTPUT COMPLETION STATUS
Do 1	0	Ch1 Output	Di 1	Ch1 Output Completion Status
	1	Ch2 Output	Di 2	Ch2 Output Completion Status
Do 2	0	Ch3 Output	Di 3	Ch3 Output Completion Status
	1	Ch4 Output	Di 4	Ch4 Output Completion Status
Do 3	0	Ch5 Output	Di 5	Ch5 Output Completion Status
	1	Ch6 Output	Di 6	Ch6 Output Completion Status
Do 4	0	Ch7 Output	Di 7	Ch7 Output Completion Status
	1	Ch8 Output	Di 8	Ch8 Output Completion Status
Do 5	0	Ch9 Output	Di 9	Ch9 Output Completion Status
	1	Ch10 Output	Di 10	Ch10 Output Completion Status
Do 6	0	Ch11 Output	Di 11	Ch11 Output Completion Status
	1	Ch12 Output	Di 12	Ch12 Output Completion Status
Do 7	0	Ch13 Output	Di 13	Ch13 Output Completion Status
	1	Ch14 Output	Di 14	Ch14 Output Completion Status
Do 8	0	Ch15 Output	Di 15	Ch15 Output Completion Status
	1	Ch16 Output	Di 16	Ch16 Output Completion Status

The above table shows the case of Not Swapped (SW2-8: OFF). ON/OFF control output is swapped with its pair when SW2-8 is ON. The following is an example of Do 1.

Do	WRITE	ONE-SHOT OUTPUT/RESET	Di	OUTPUT COMPLETION STATUS
Do 1	0	Ch2 Output	Di 2	Ch2 Output Completion Status
	1	Ch1 Output	Di 1	Ch1 Output Completion Status

■ **CONTINUANCE OUTPUT MODE**

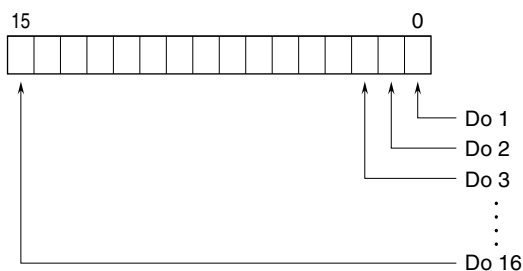
Do 1 through 16 are assigned to and Ch1 through 16. When data Do is “1” output is ON and when it is “0” output is OFF. Output completion status Di is related to Do.

When I/O Mode is in Output Operation (SW2-7: ON), Output Complete Status is not indicated.

Do	CONTINUANCE OUTPUT	Di	OUTPUT COMPLETION STATUS
Do 1	Ch1 Output	Di 1	Ch1 Output Completion Status
Do 2	Ch2 Output	Di 2	Ch2 Output Completion Status
Do 3	Ch3 Output	Di 3	Ch3 Output Completion Status
Do 4	Ch4 Output	Di 4	Ch4 Output Completion Status
Do 5	Ch5 Output	Di 5	Ch5 Output Completion Status
Do 6	Ch6 Output	Di 6	Ch6 Output Completion Status
Do 7	Ch7 Output	Di 7	Ch7 Output Completion Status
Do 8	Ch8 Output	Di 8	Ch8 Output Completion Status
Do 9	Ch9 Output	Di 9	Ch9 Output Completion Status
Do 10	Ch10 Output	Di 10	Ch10 Output Completion Status
Do 11	Ch11 Output	Di 11	Ch11 Output Completion Status
Do 12	Ch12 Output	Di 12	Ch12 Output Completion Status
Do 13	Ch13 Output	Di 13	Ch13 Output Completion Status
Do 14	Ch14 Output	Di 14	Ch14 Output Completion Status
Do 15	Ch15 Output	Di 15	Ch15 Output Completion Status
Do 16	Ch16 Output	Di 16	Ch16 Output Completion Status

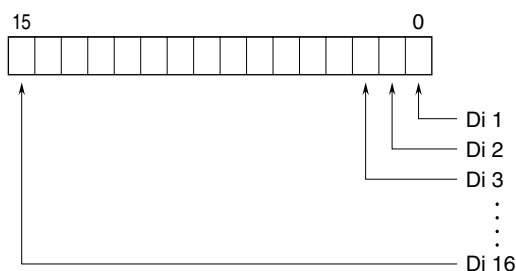
## DATA ASSIGNMENT

### Do



Note: For 8-bit length ON/OFF control mode, Do 9 through Do 16 are unavailable.

### Di

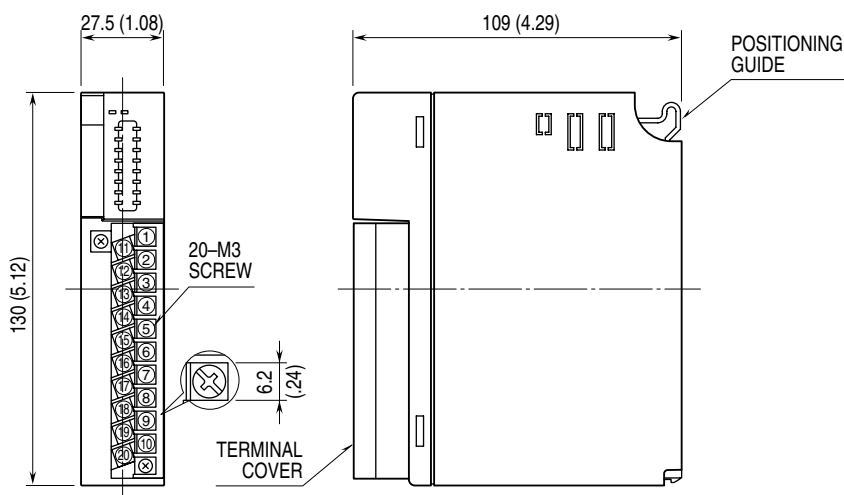


Note: Di data is not practical discrete input data. It is "output completion status" internal data.

## TERMINAL CONNECTIONS

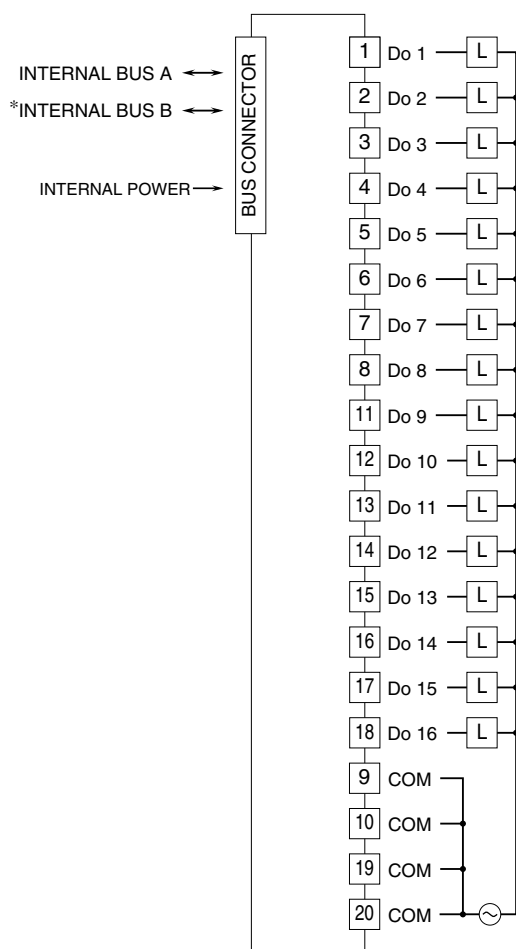
Connect the unit as in the diagram below.

### EXTERNAL DIMENSIONS unit: mm (inch)





## CONNECTION DIAGRAM



\*For dual redundant communication.

## FUNCTIONS

### OUTPUT HOLD or OUTPUT OFF

In normal conditions, the module outputs the signal from the preferred bus A.

When an error is detected, the output is switched to the data from the bus B.

#### • Output Hold

If both are in error, the module holds the signal and stands by until one of the communications recovers.

#### • Output OFF

If both are in error, the module outputs OFF signals and stands by until one of the communications recovers.

At the startup, it outputs OFF until the communication is established and normal data is received.

## WIRING INSTRUCTIONS

### SCREW TERMINAL

Torque: 0.5 N·m

### SOLDERLESS TERMINAL

Refer to the drawing below for recommended ring tongue terminal size. Spade tongue type is also applicable. Solderless terminals with insulation sleeve do not fit.

Applicable wire size: 0.3 – 0.5 mm<sup>2</sup>

Recommended manufacturer: Japan Solderless Terminal MFG. Co., Ltd., Nichifu Co., Ltd.

