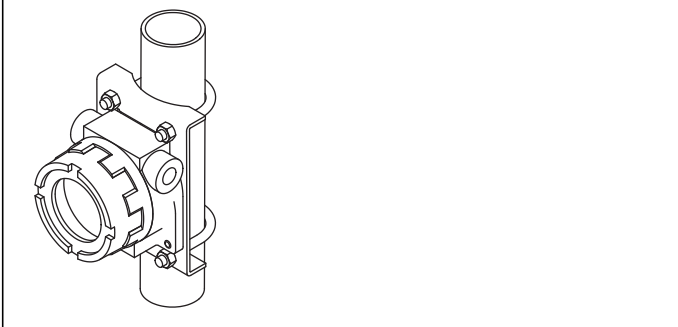


**Field-mounted Two-wire
Signal Conditioners 6B-UNIT**

SQUARE ROOT EXTRACTOR

Functions & Features

- IP66 / IP67 housing enables field mounting
- Stainless steel field housing selectable
- Providing a 4 - 20 mA DC signal proportional to the root of input signal from DP flowmeter



MODEL: 6BFN-0A[1][2][3]

ORDERING INFORMATION

- Code number: 6BFN-0A[1][2][3]
- Specify a code from below for each of [1] through [3].
(e.g. 6BFN-0A0A1)

SAFETY APPROVAL

0: None

INPUT

A: 4 - 20 mA DC

[1] WIRING CONDUIT

- 0: G 1/2
- 1: 1/2 NPT
- 2: M20 x 1.5
- 3: PG 13.5

[2] ENCLOSURE MATERIAL

- A: Diecast aluminum
- S: Stainless steel casting

[3] MOUNTING BRACKET

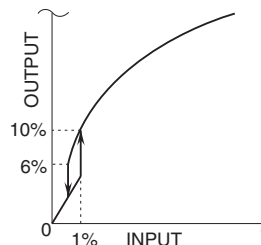
- 0: Without
- 1: With

PACKAGE INCLUDES...

- **Mounting screws**
Bolt (M8 x 15): 4
Spring washer for M8: 4
Material: Stainless steel 304
- **Mounting bracket assembly (option):**
Mounting bracket: 1
M10 U-bolt: 2
Nut for M10: 4
Spring washer for M10: 4
Material: Stainless steel 304
Applicable pipe: 1 1/2" min.; 2" max.

GENERAL SPECIFICATIONS

- Degree of protection:** NEMA 4X, IP66/IP67
- Wiring conduit:** See 'Ordering information.'
- Electrical connection:** M3 screw terminals (torque 0.6 N·m)
- Materials**
 - **Transmitter housing:** Diecast aluminum
 - **Screw terminals:** Nickel-plated steel
 - **Enclosure:** Diecast aluminum or stainless steel casting (equivalent to type 316); silver color, epoxy resin coated
 - Isolation:** Input or output to outdoor enclosure
 - Zero adjustment:** 0 - 5 % (behind the access cover)
 - Span adjustment:** 100 - 103 % (behind the access cover)
 - Low-end cutout:** Approx. 10 % (output); curve characteristics shown in the figure below



OUTPUT SPECIFICATIONS

- Output:** 4 - 20 mA DC
- Voltage drop per loop:** ≤ 5 V

INSTALLATION

- Supply voltage:** Voltage required by differential pressure transmitter + 5 V
- Operating temperature:** -5 to +70°C (23 to 158°F)
- Weight:**
 - Unit
Approx. 1.5 kg (2.9 lb), aluminium
Approx. 4.2 kg (8.8 lb), stainless steel
 - Mounting bracket assembly (option)

Approx. 0.78 kg (1.72 lb)

PERFORMANCE in percentage of span

Accuracy: $\pm 0.2\%$ (input 1 - 100 %)

Temp. coefficient: $\pm 0.03\%/^{\circ}\text{C}$ ($\pm 0.02\%/^{\circ}\text{F}$)

Response time: ≤ 0.5 sec. (0 - 90 %)

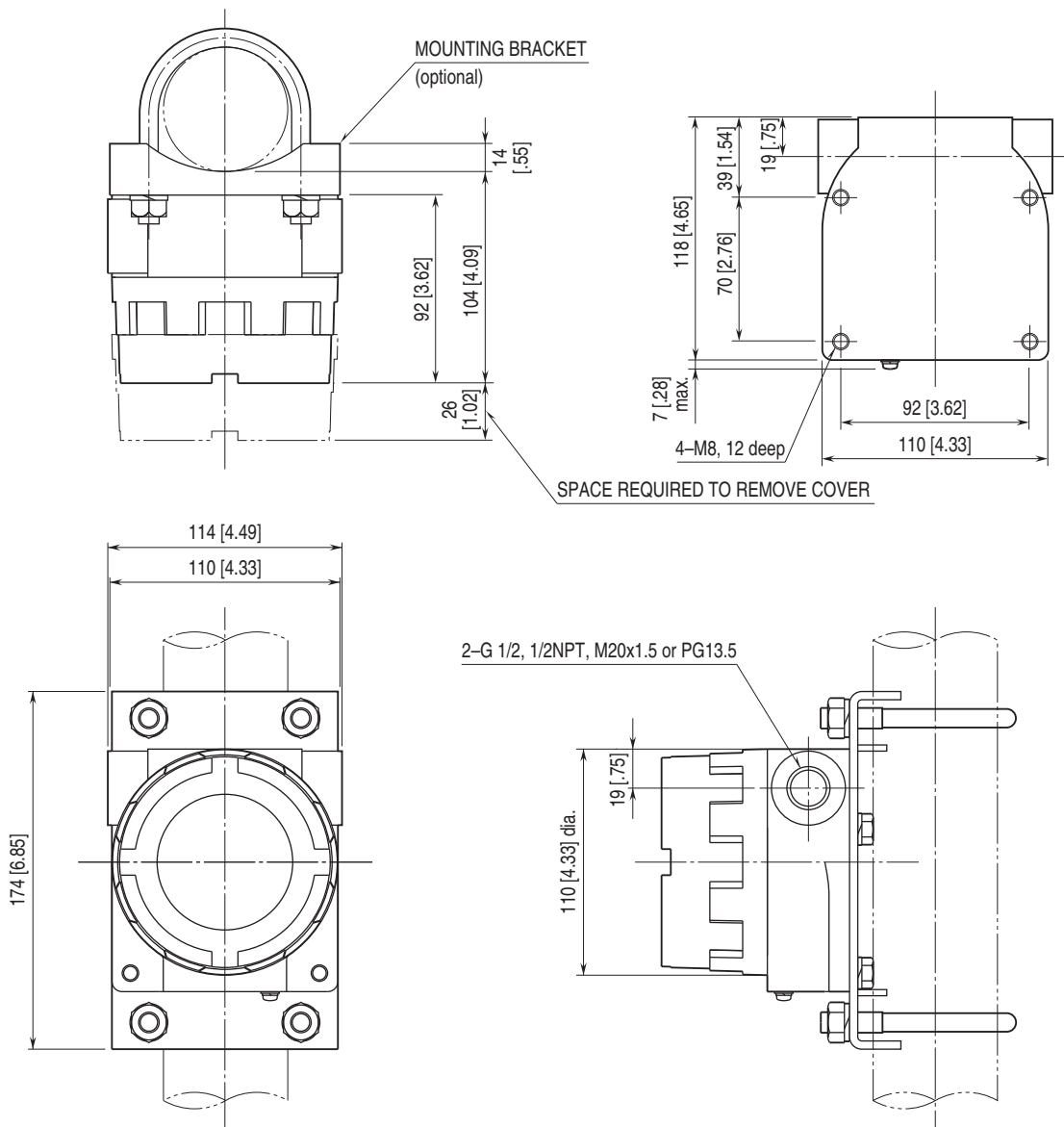
Ripple: 0.1 %p-p max.

Insulation resistance: $\geq 100\text{ M}\Omega$ with 500 V DC

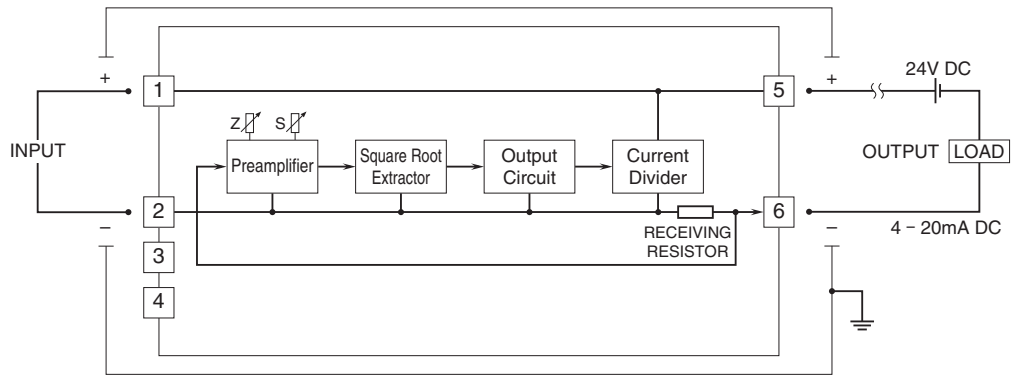
Dielectric strength: 1500 V AC @ 1 minute

(input or output to outdoor enclosure)

EXTERNAL DIMENSIONS unit: mm [inch]



SCHEMATIC CIRCUITRY & CONNECTION DIAGRAM



Specifications are subject to change without notice.